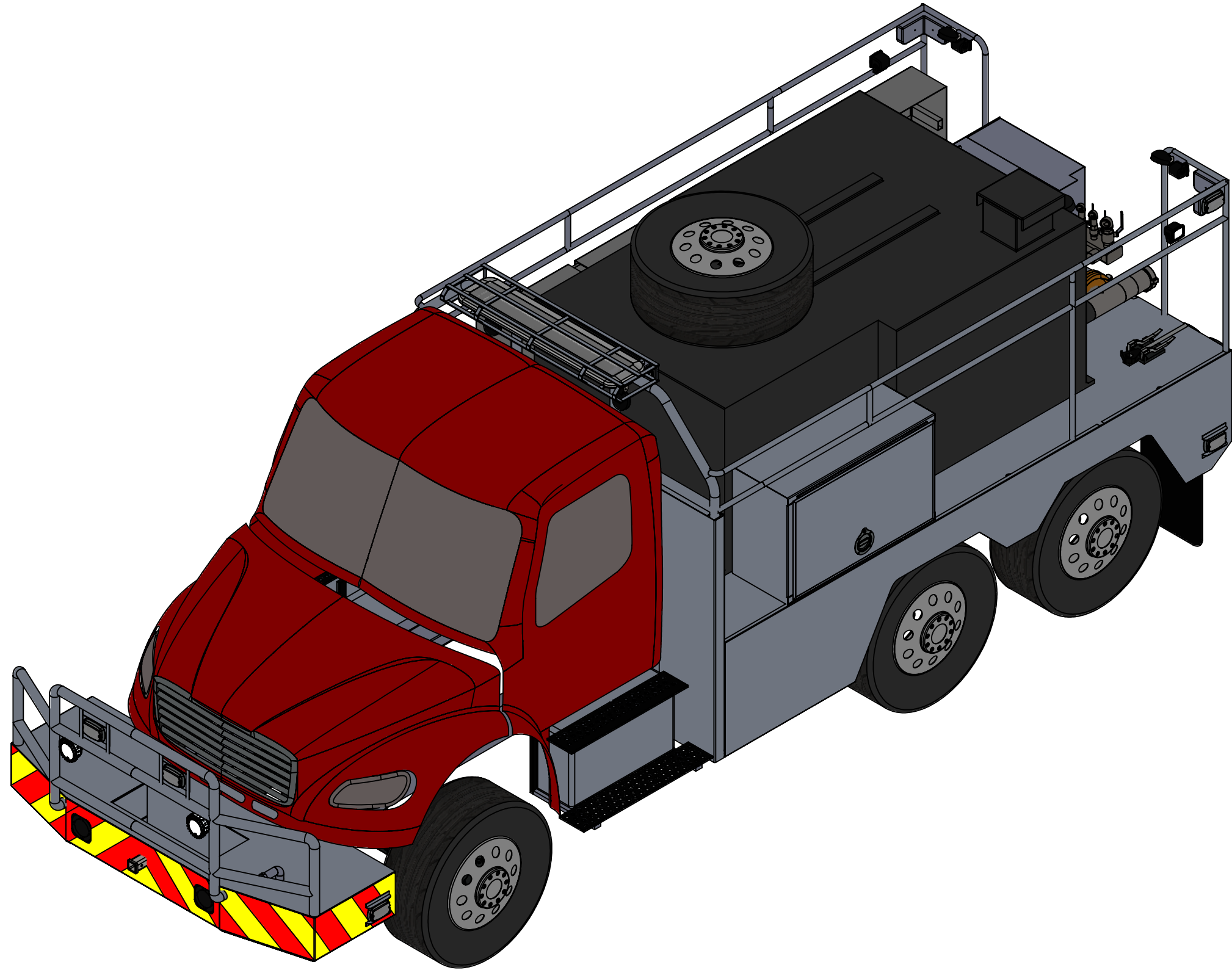


Floyd New Mexico Fire Department's NWCG Type 5 Flat Bed Wildland Engine Skeeter Brush Truck



PROPERTY OF
SKEETER BRUSH TRUCKS

NOTE: DETAILS AND DIMENSIONS SHOWN ARE APPROXIMATE
AND ARE SUBJECT TO MINOR DEVIATIONS AS MAY
OCCUR OR BE NECESSARY IN CONSTRUCTION
MINOR DETAILS NOT SHOWN

PREPARED FOR:

FLOYD NM FD

DRAWN BY: MARK E.

PRINT DATE: 3/2/2018

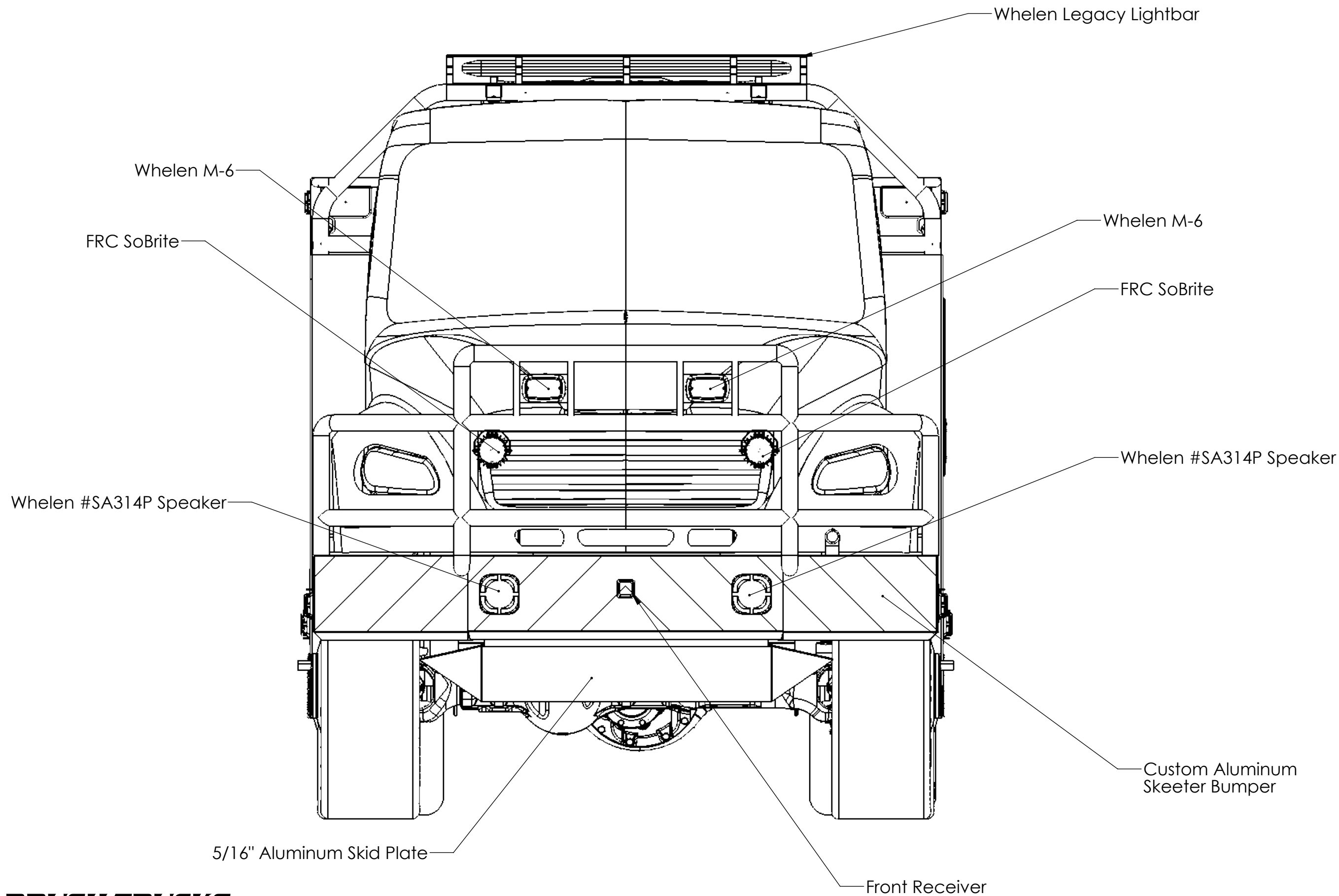
TITLE:

OVERVIEW

REV: A

JOB NO. 14406

SHEET 1 OF 13



PROPERTY OF
SKEETER BRUSH TRUCKS

NOTE: DETAILS AND DIMENSIONS SHOWN ARE APPROXIMATE
 AND ARE SUBJECT TO MINOR DEVIATIONS AS MAY
 OCCUR OR BE NECESSARY IN CONSTRUCTION
 MINOR DETAILS NOT SHOWN

PREPARED FOR:

FLOYD NM FD

DRAWN BY: MARK E.

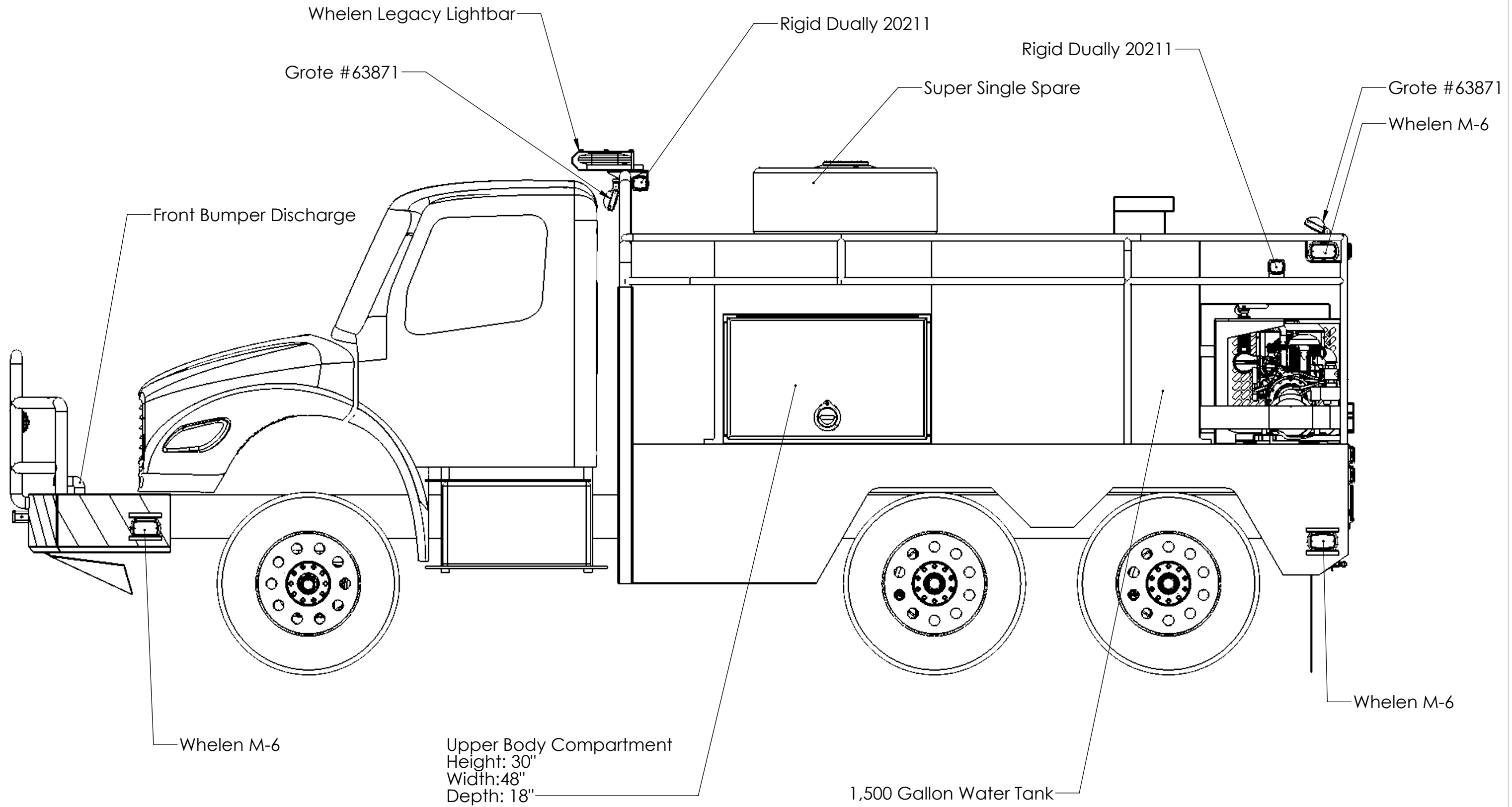
PRINT DATE: 3/2/2018

TITLE:

FRONT VIEW

JOB NO. 14406

SHEET 2 OF 13



PROPERTY OF
SKEETER BRUSH TRUCKS

NOTE: DETAILS AND DIMENSIONS SHOWN ARE APPROXIMATE
 AND ARE SUBJECT TO MINOR DEVIATIONS AS MAY
 OCCUR OR BE NECESSARY IN CONSTRUCTION
 MINOR DETAILS NOT SHOWN

PREPARED FOR:

FLOYD NM FD

DRAWN BY: MARK E.

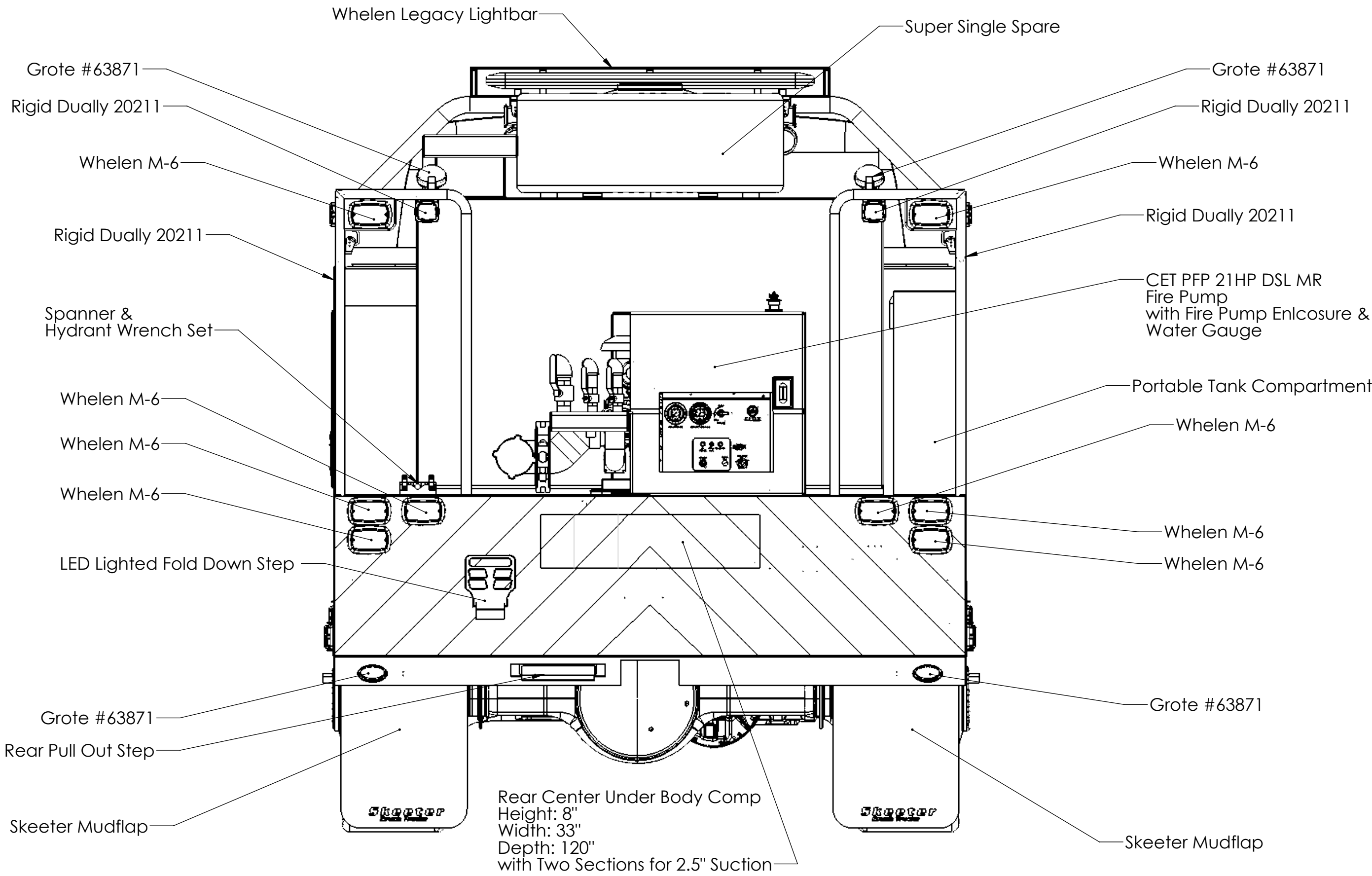
PRINT DATE: 3/2/2018

TITLE:

DRIVERS SIDE VIEW

JOB NO. 14406

SHEET 3 OF 13



PROPERTY OF
SKEETER BRUSH TRUCKS

NOTE: DETAILS AND DIMENSIONS SHOWN ARE APPROXIMATE AND ARE SUBJECT TO MINOR DEVIATIONS AS MAY OCCUR OR BE NECESSARY IN CONSTRUCTION
MINOR DETAILS NOT SHOWN

PREPARED FOR:
FLOYD NM FD

DRAWN BY: MARK E.
PRINT DATE: 3/2/2018

TITLE: REAR VIEW

JOB NO. 14406
SHEET 4 OF 13

Rigid Dually 2021 1

Rigid Dually 2021 1

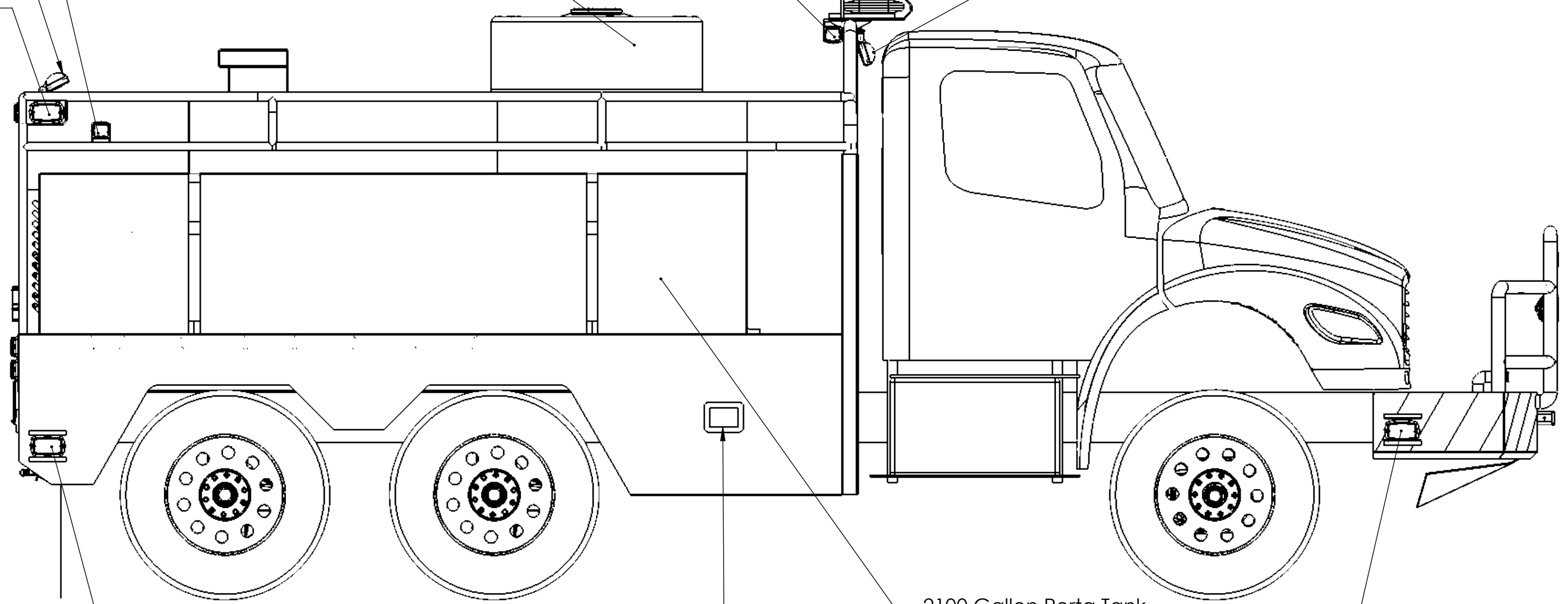
Whelen Legacy Lightbar

Grote #63871

Super Single Spare

Grote #63871

Whelen M-6



2100 Gallon Porta Tank Compartment

Passenger Side Pocket Step

Whelen M-6

Whelen M-6

PROPERTY OF
SKEETER BRUSH TRUCKS

NOTE: DETAILS AND DIMENSIONS SHOWN ARE APPROXIMATE AND ARE SUBJECT TO MINOR DEVIATIONS AS MAY OCCUR OR BE NECESSARY IN CONSTRUCTION
MINOR DETAILS NOT SHOWN

PREPARED FOR:

FLOYD NM FD

DRAWN BY: MARK E.

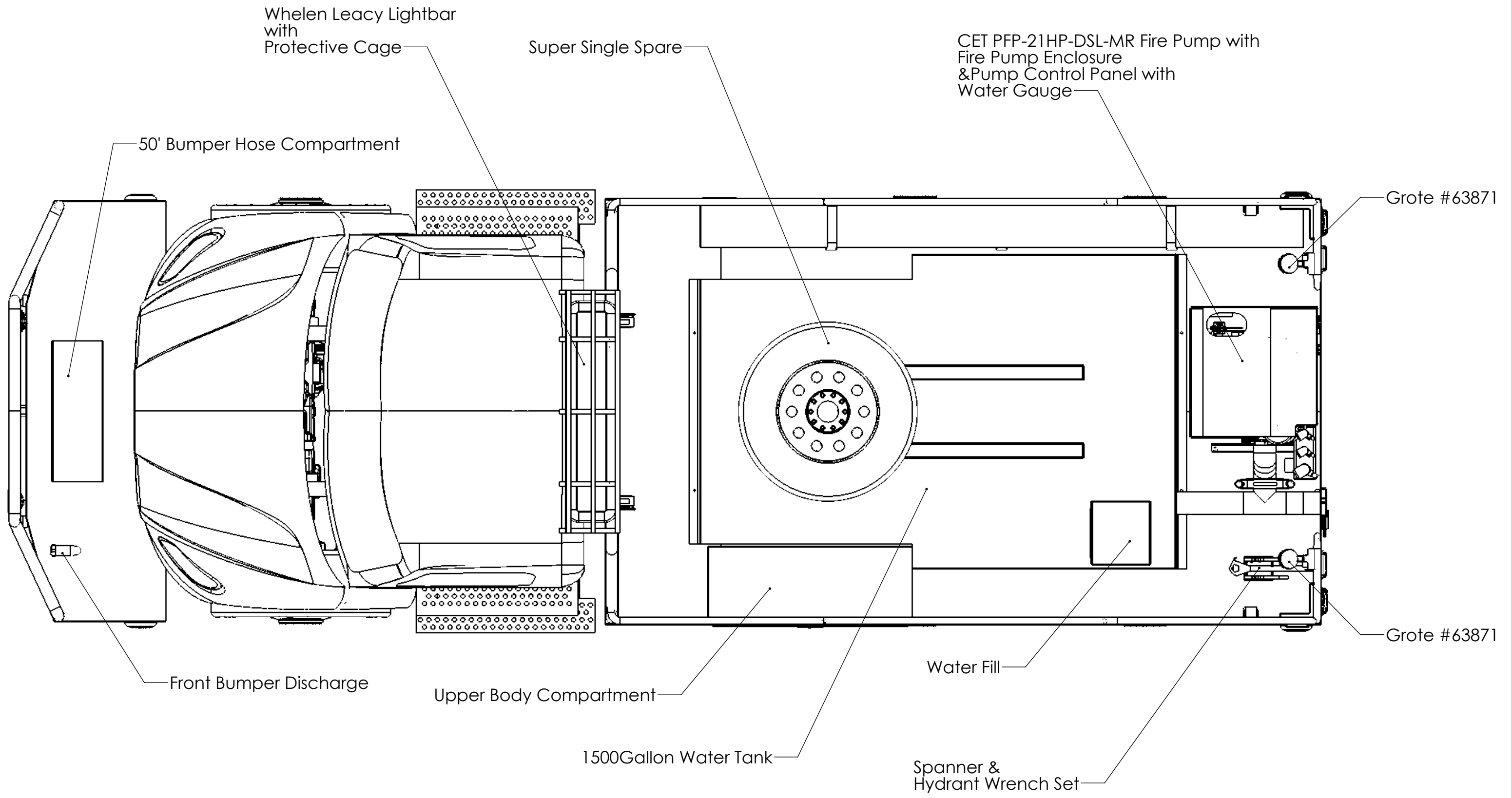
PRINT DATE: 3/2/2018

TITLE:

PASSENGERS SIDE VIEW

JOB NO. 14406

SHEET 5 OF 13



PROPERTY OF
SKEETER BRUSH TRUCKS

NOTE: DETAILS AND DIMENSIONS SHOWN ARE APPROXIMATE AND ARE SUBJECT TO MINOR DEVIATIONS AS MAY OCCUR OR BE NECESSARY IN CONSTRUCTION
 MINOR DETAILS NOT SHOWN

PREPARED FOR:

FLOYD NM FD

DRAWN BY: MARK E.

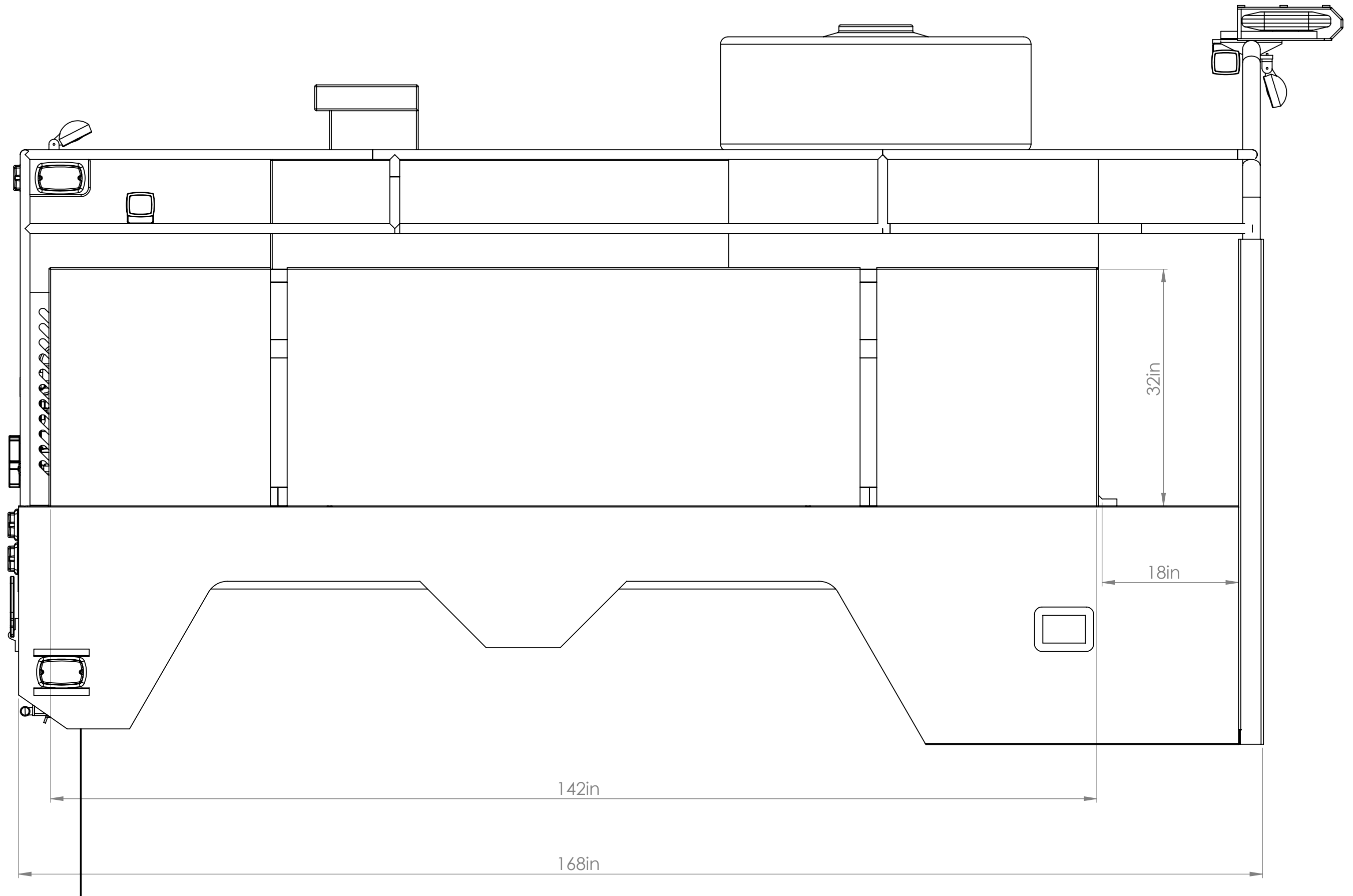
PRINT DATE: 3/2/2018

TITLE:

TOP VIEW

JOB NO. 14406

SHEET 6 OF 13



PROPERTY OF
SKEETER BRUSH TRUCKS

NOTE: DETAILS AND DIMENSIONS SHOWN ARE APPROXIMATE
 AND ARE SUBJECT TO MINOR DEVIATIONS AS MAY
 OCCUR OR BE NECESSARY IN CONSTRUCTION
 MINOR DETAILS NOT SHOWN

PREPARED FOR:

FLOYD NM FD

DRAWN BY: MARK E.

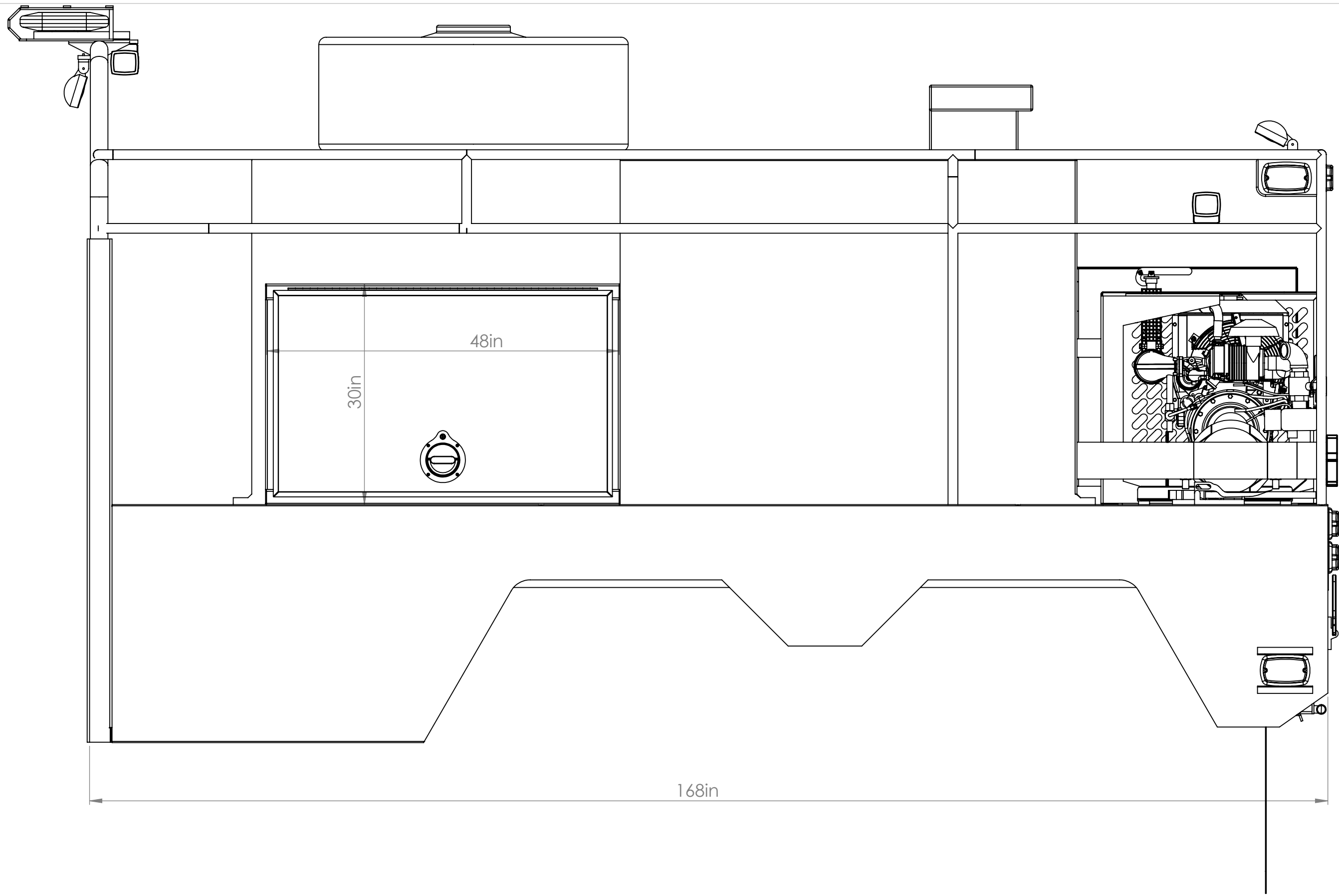
PRINT DATE: 3/2/2018

TITLE:

BED PSNGR SIDE VIEW

JOB NO. 14406

SHEET 7 OF 13



PROPERTY OF
SKEETER BRUSH TRUCKS

NOTE: DETAILS AND DIMENSIONS SHOWN ARE APPROXIMATE
 AND ARE SUBJECT TO MINOR DEVIATIONS AS MAY
 OCCUR OR BE NECESSARY IN CONSTRUCTION
 MINOR DETAILS NOT SHOWN

PREPARED FOR:

FLOYD NM FD

DRAWN BY: MARK E.

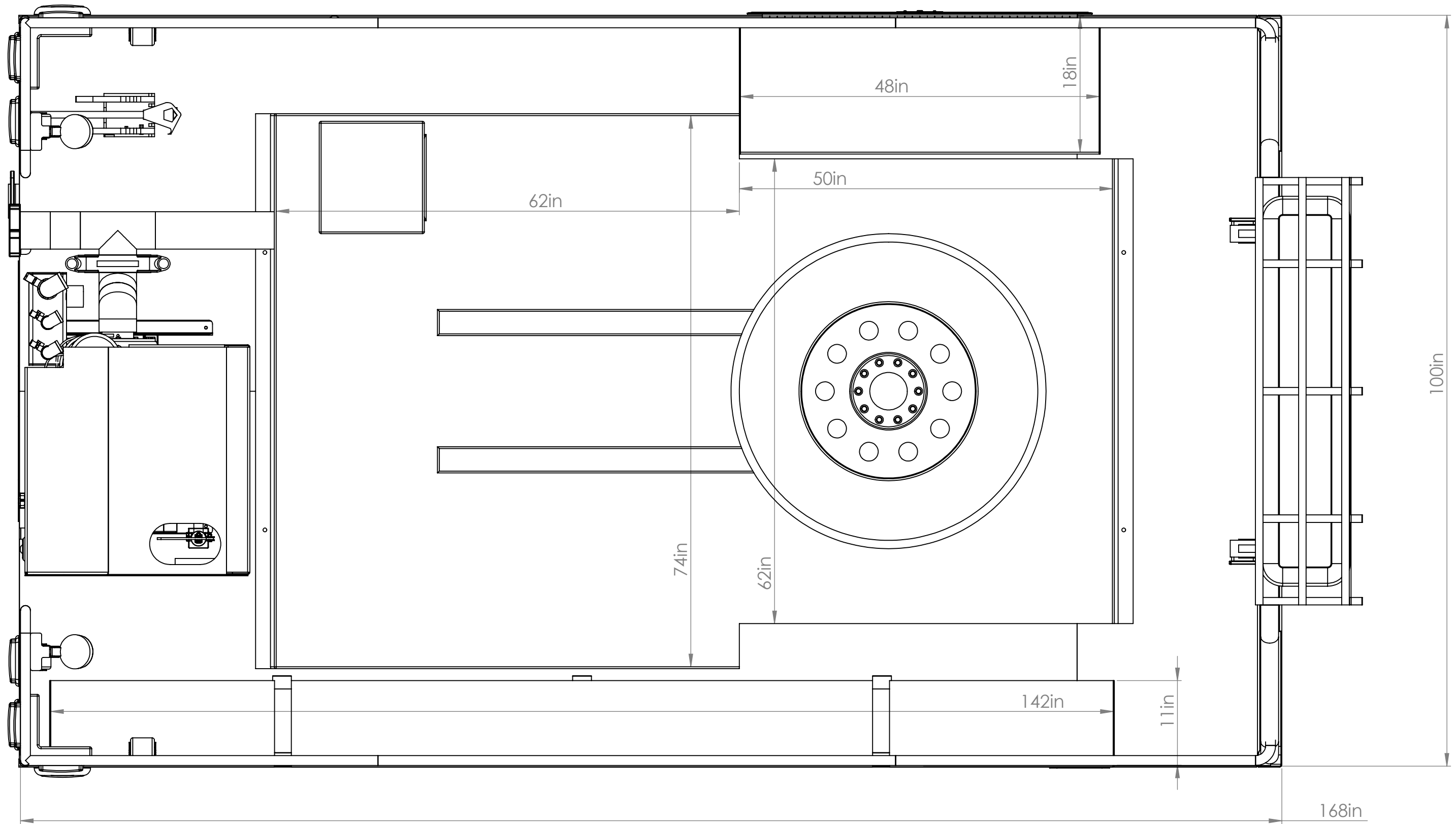
PRINT DATE: 3/2/2018

TITLE:

BED DRVR SIDE VIEW

JOB NO. 14406

SHEET 8 OF 13



PROPERTY OF
SKEETER BRUSH TRUCKS

NOTE: DETAILS AND DIMENSIONS SHOWN ARE APPROXIMATE
 AND ARE SUBJECT TO MINOR DEVIATIONS AS MAY
 OCCUR OR BE NECESSARY IN CONSTRUCTION
 MINOR DETAILS NOT SHOWN

PREPARED FOR:

FLOYD NM FD

DRAWN BY: MARK E.

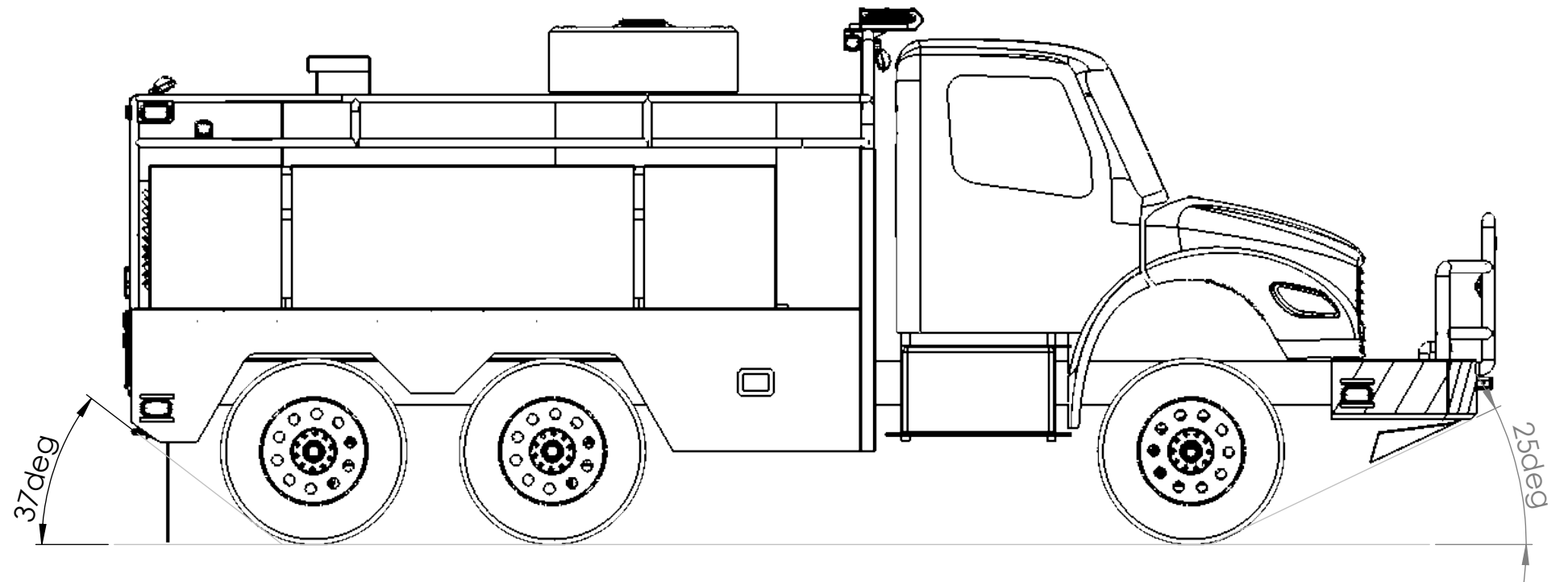
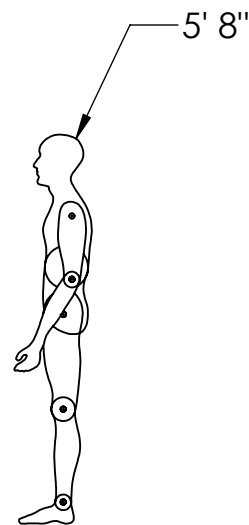
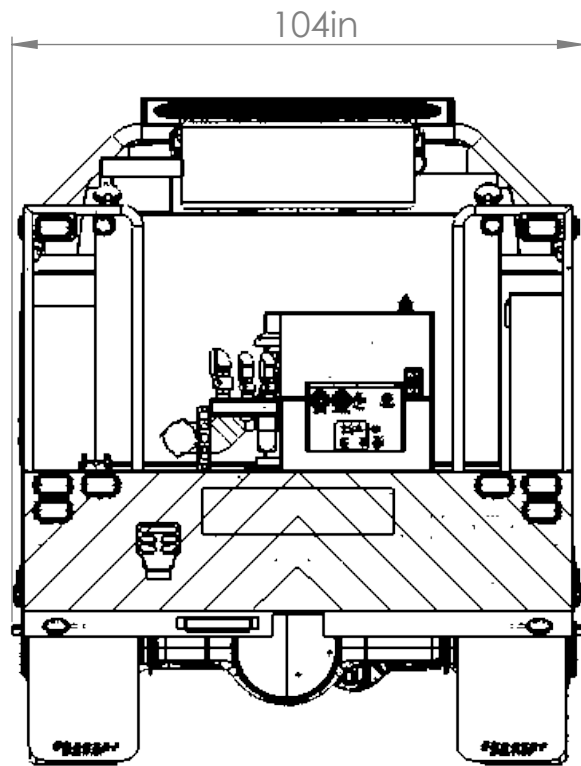
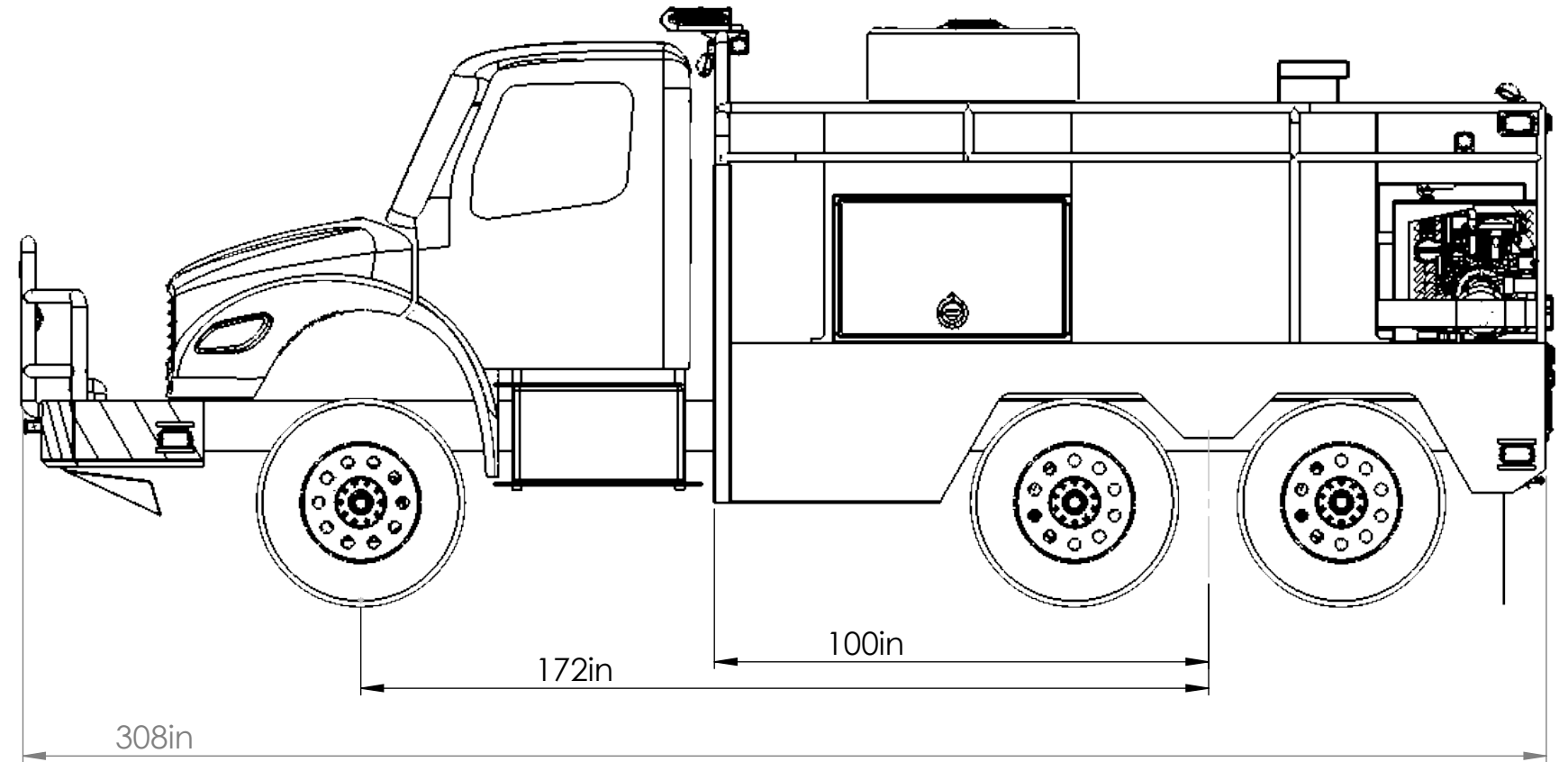
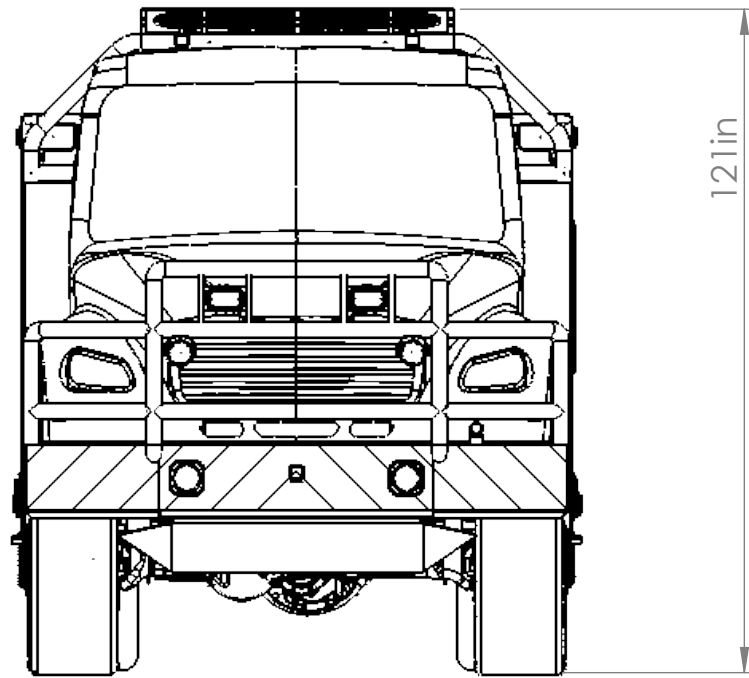
PRINT DATE: 3/2/2018

TITLE:

BED TOP VIEW

JOB NO. 14406

SHEET 9 OF 13



PROPERTY OF
SKEETER BRUSH TRUCKS

NOTE: DETAILS AND DIMENSIONS SHOWN ARE APPROXIMATE AND ARE SUBJECT TO MINOR DEVIATIONS AS MAY OCCUR OR BE NECESSARY IN CONSTRUCTION
 MINOR DETAILS NOT SHOWN

PREPARED FOR:

FLOYD NM FD

DRAWN BY: MARK E.

PRINT DATE: 3/2/2018

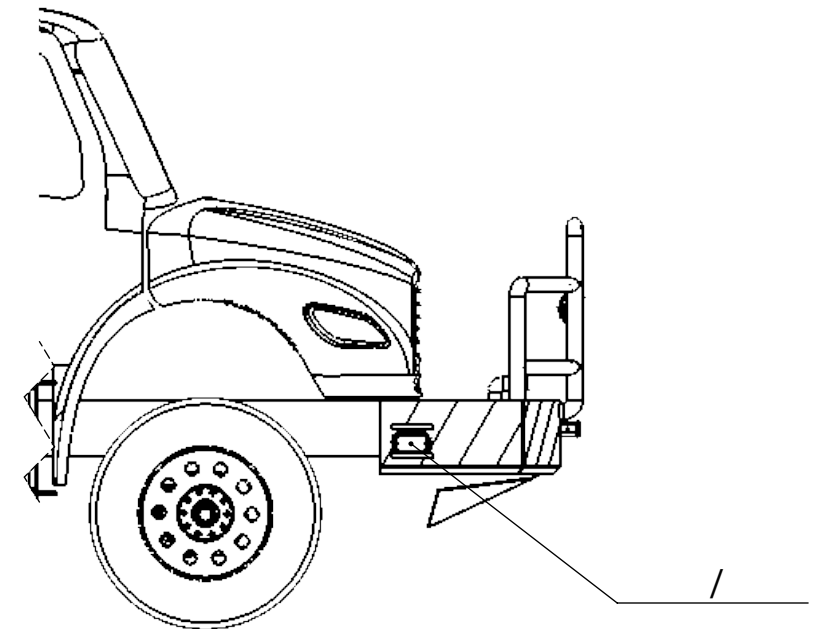
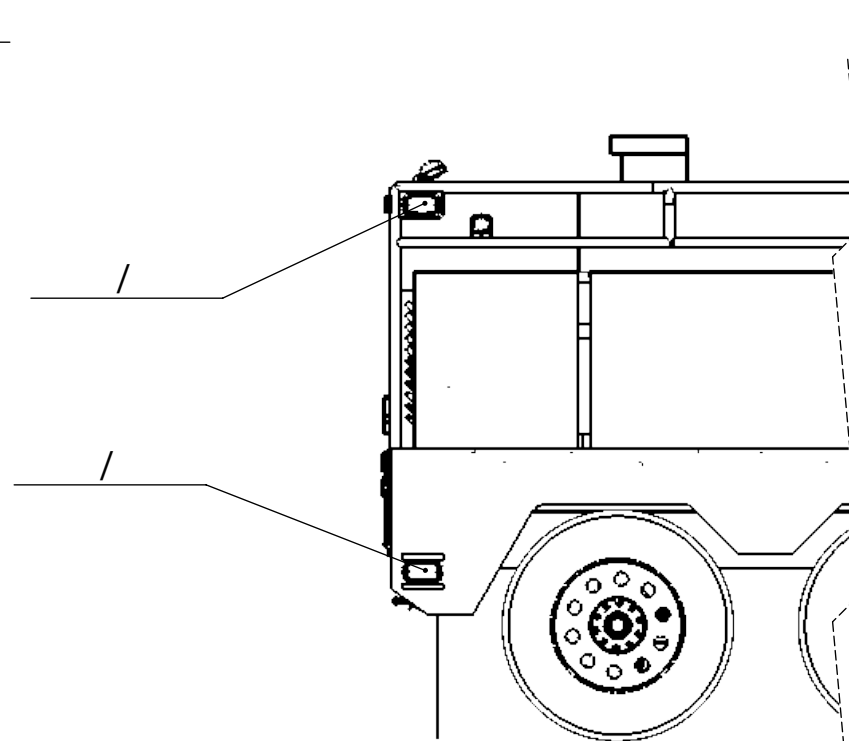
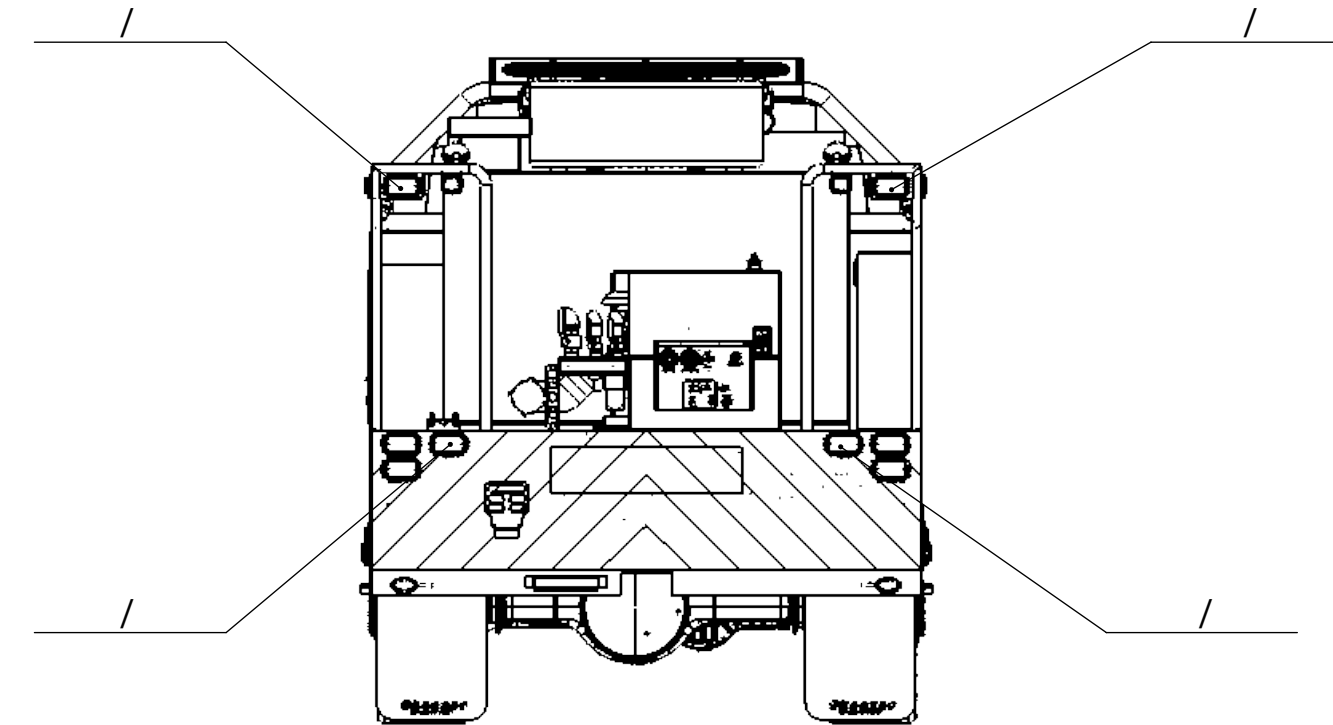
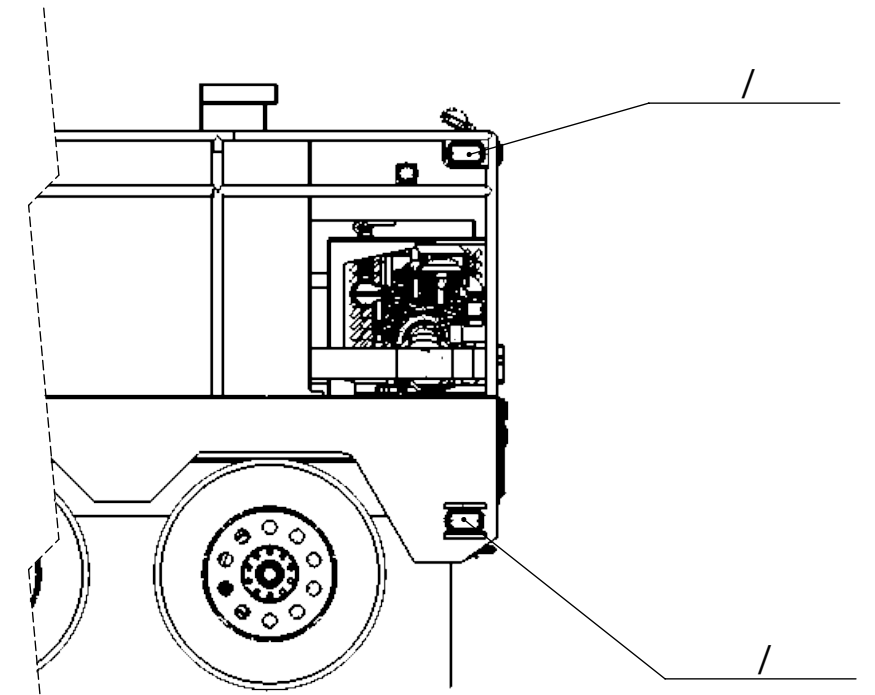
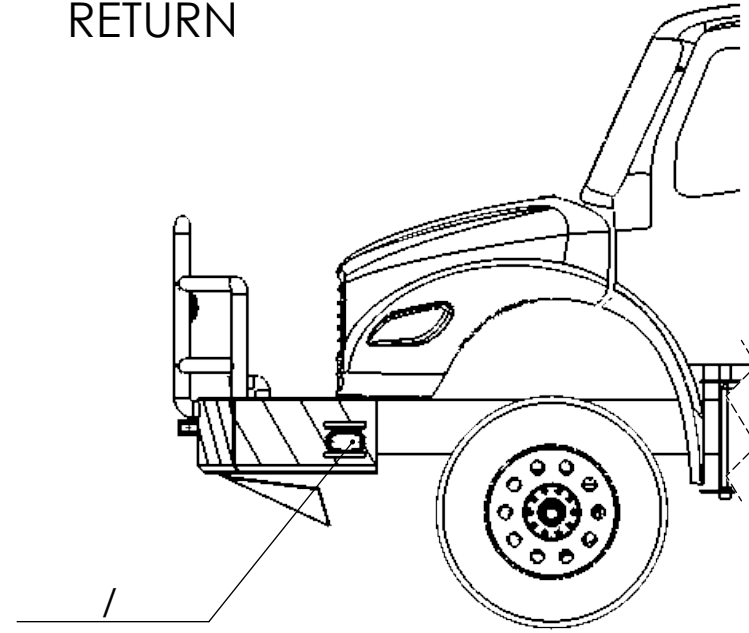
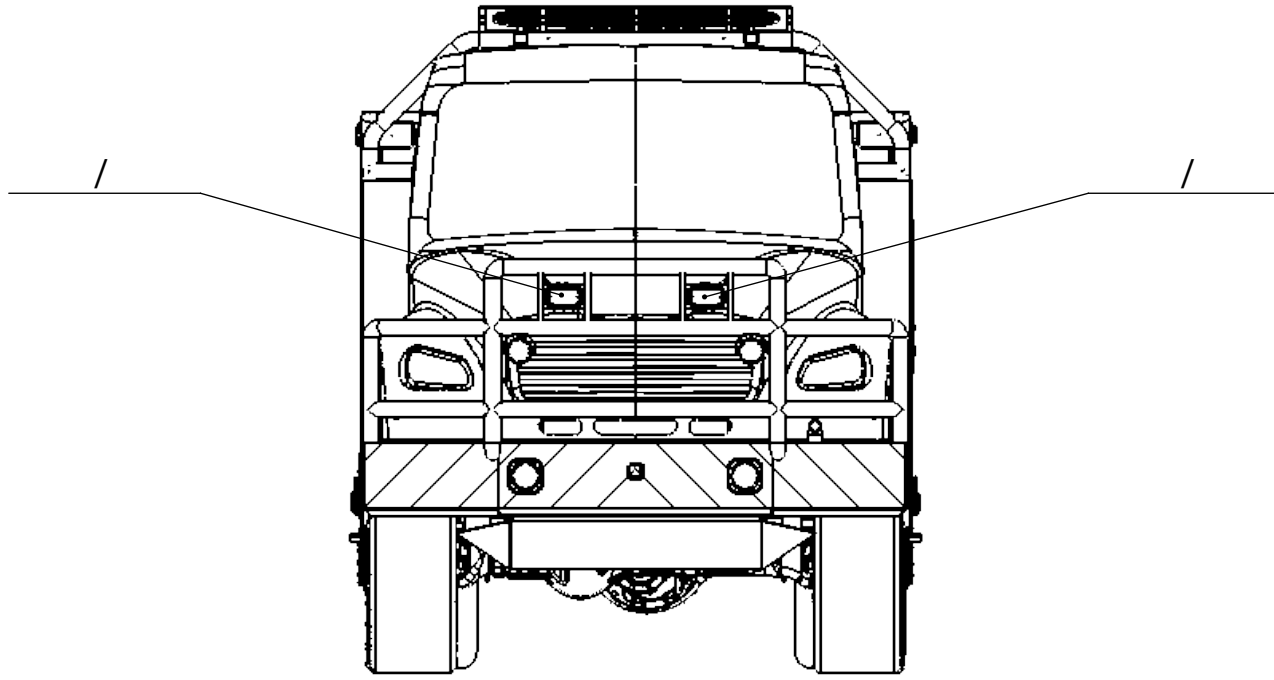
TITLE:

OVERALL DIMENSIONS

JOB NO. 14406

SHEET 10 OF 13

PLEASE FILL OUT
&
RETURN



PROPERTY OF
SKEETER BRUSH TRUCKS

NOTE: DETAILS AND DIMENSIONS SHOWN ARE APPROXIMATE
AND ARE SUBJECT TO MINOR DEVIATIONS AS MAY
OCCUR OR BE NECESSARY IN CONSTRUCTION
MINOR DETAILS NOT SHOWN

PREPARED FOR:

FLOYD NM FD

DRAWN BY: MARK E.

PRINT DATE: 3/2/2018

TITLE:

WARNING LIGHT LAYOUT

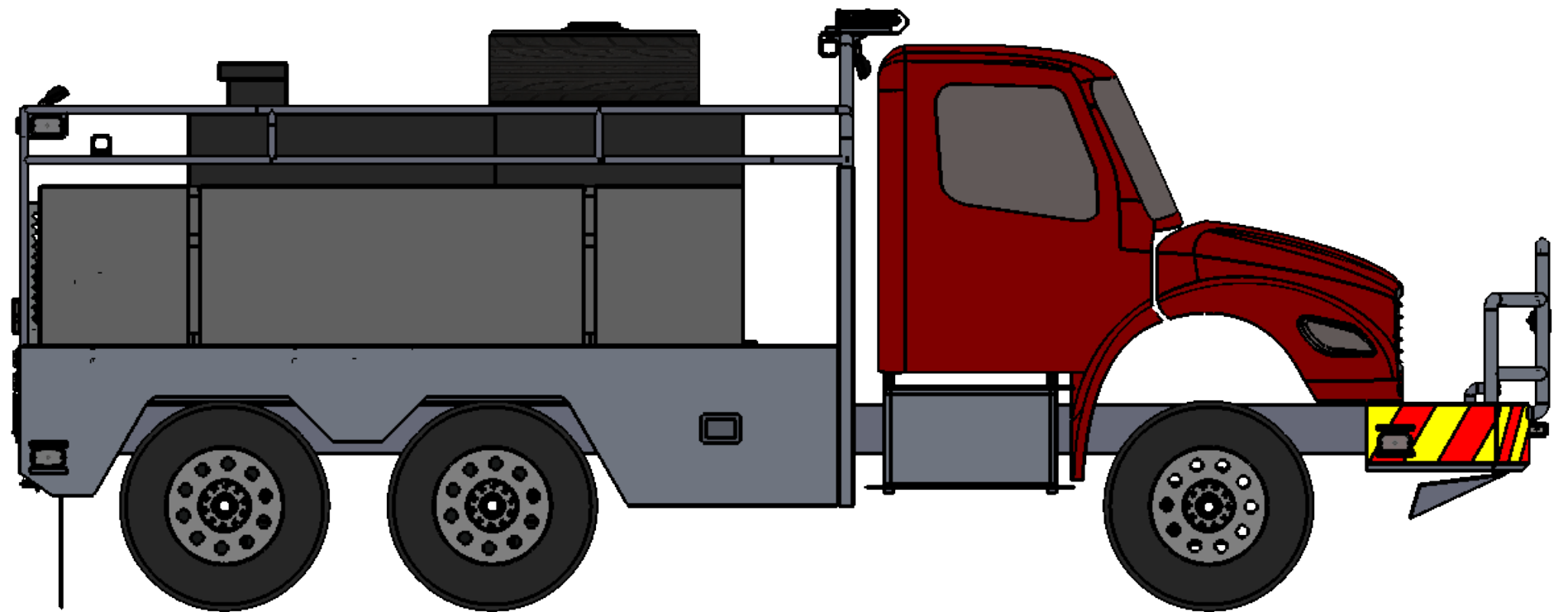
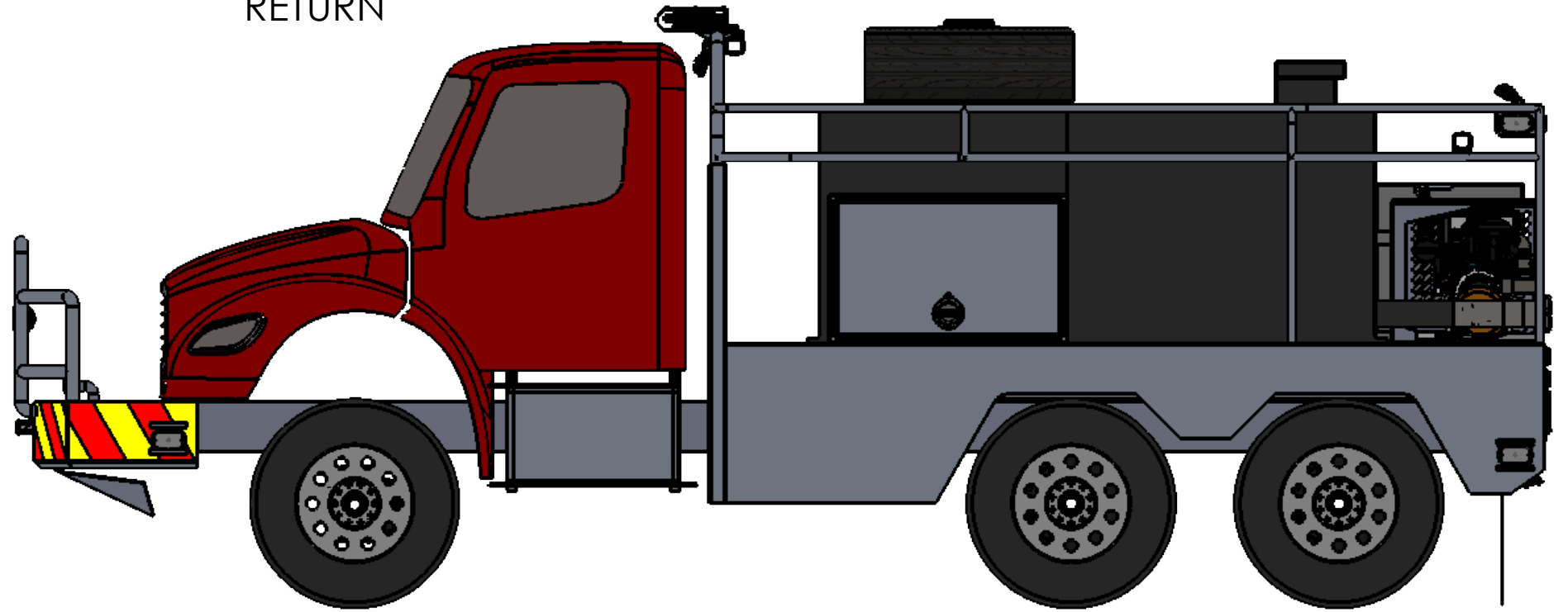
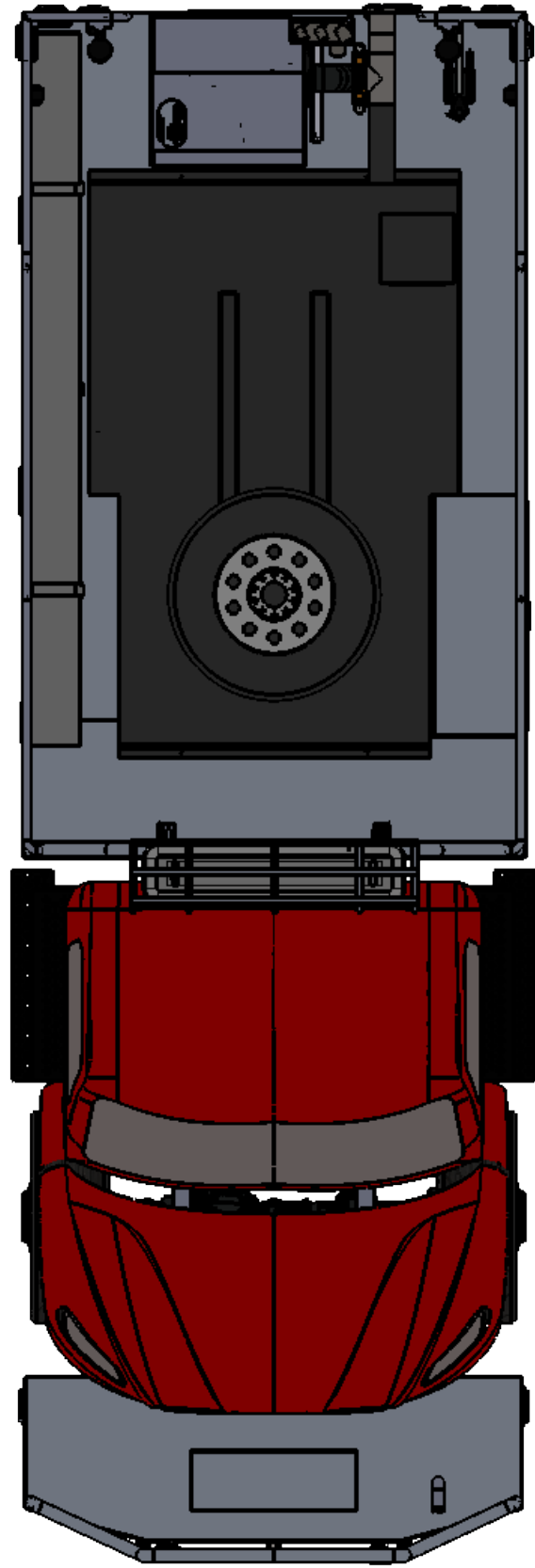
ALL RED

ALL BLUE

JOB NO. 14406

SHEET 11 OF 13

PLEASE FILL OUT
&
RETURN



PROPERTY OF
SKEETER BRUSH TRUCKS

NOTE: DETAILS AND DIMENSIONS SHOWN ARE APPROXIMATE
AND ARE SUBJECT TO MINOR DEVIATIONS AS MAY
OCCUR OR BE NECESSARY IN CONSTRUCTION
MINOR DETAILS NOT SHOWN

PREPARED FOR:

FLOYD NM FD

DRAWN BY: MARK E.

PRINT DATE: 3/2/2018

TITLE:

GRAPHICS

JOB NO. 14406

SHEET 12 OF 13

ENGINEERING NOTES AND REVISIONS

PROPERTY OF
SKEETER BRUSH TRUCKS

NOTE: DETAILS AND DIMENSIONS SHOWN ARE APPROXIMATE
AND ARE SUBJECT TO MINOR DEVIATIONS AS MAY
OCCUR OR BE NECESSARY IN CONSTRUCTION

MINOR DETAILS NOT SHOWN

PREPARED FOR:

FLOYD NM FD

DRAWN BY: MARK E.

PRINT DATE: 3/2/2018

TITLE:

ENGINEERING CHANGES/NOTES

JOB NO. 14406

SHEET 13 OF 13